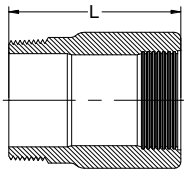


Harco Fittings LLC Ductile Iron IPS Gasketed Fittings

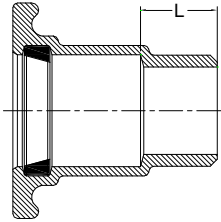
DESIGN DATA

ADAPTER (MIPT x Female ACME)



SIZE	PART #	L	WT (approx)
2 x 1	872-204	3	3
2 x 1¼	872-205	3	3
2 x 1½	872-206	3	2

MALE ADAPTER (Bell x MNPT)

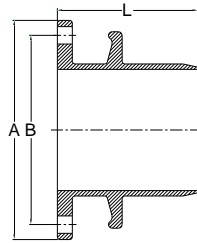


SIZE	PART #	L	WT (approx)
1½ x 1½	80070	1.6	2.8
2 x 1½	80172	1.6	3
2 x 2	80170	1.7	3.5
2½ x 2	80272	1.7	3
2½ x 2½	80270	2.0	4.8
3 x 3	80370	2.0	6.3
4 x 4	80470	1.7	7.5

FLANGE SPECS

SIZE	# HOLES	DIAMETER BOLTS	BOLT CIRCLE
3	4	5/8	6
4	8	5/8	7-1/2
6	8	3/4	9-1/2
8	8	3/4	11-3/4
10	12	7/8	14-1/4
12	12	7/8	17

SPIGOT x FLANGE ADAPTER

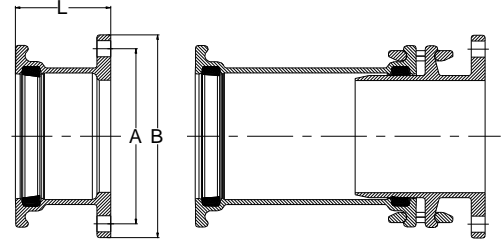


SIZE	PART #	A	B	L	WT (approx)
3	80360	7.5	6.0	5.4	10.9
4	80460	9.0	7.5	6.4	15.1
6	80660	11.0	9.5	7.1	21.8

SPIGOT x FLANGE ADAPTER (continued)

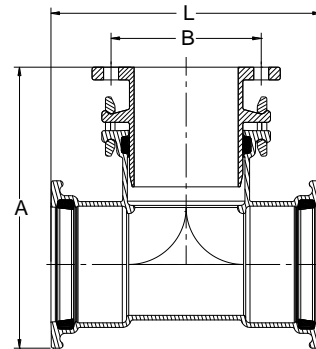
SIZE	PART #	A	B	L	WT (approx)
8	80860	13.5	11.8	7.5	30.9
10	81060	16.0	14.3	12.1	64.3
12	81260	19.0	17.0	12.4	87.1

FLANGE x BELL ADAPTER



SIZE	PART #	A	B	L	STYLE	WT (approx)
3 x 3	80360FB	6.0	7.5	3.8	B	10.3
3 x 4	80360-04	6.0	7.5	7.9	B	15.2
4 x 4	80460FB	7.5	9.0	4.7	B	14.5
4 x 6	80460-06	7.5	9.0	8.9	B	23.8
6 x 6	80660FB	9.5	11.0	5.2	B	21.1
6 x 8	80660-08	9.5	11.0	10.0	B	33.4
8 x 8	80860FB	11.8	13.5	5.7	B	32.7
8 x 10	80860-10	11.8	13.5	10.8	B	57.5
10 x 10	81060FB	14.3	16.0	7.9	A	54.6
10 x 12	81060-12	14.3	16.0	11.7	B	76.0
12 x 12	81260FB	17.0	19.0	8.0	A	74.2
14 x 14	81460	18.8	21.0	10.6	A	139.7
16 x 16	81660	21.3	23.5	11.3	A	159.8
18 x 18	81860MJ					240

FLANGE x OUTLET TEE (B x B x Flange)



SIZE	PART #	A	B	L	WT (approx)
3 x 3	80300F	11.4	6.9	10.0	17.9
4 x 4	80400F	13.9	7.5	12.8	38.7
6 x 4	80601F	15.6	7.5	13.8	47.2
6 x 6	80600F	16.6	9.5	15.8	61.2
8 x 6	80801F	18.7	9.5	16.9	73.9
8 x 8	80800F	19.0	11.8	19.0	92.3
10 x 6	81002F	21.1	9.5	18.6	100.4
10 x 8	81001F	20.7	11.8	21.8	119.4

Notes:

- All lay lengths & weights are approximate and subject to change without notice
- Fabricated fitting configurations may vary

Call For Other Sizes, Configurations & Gasket Materials

Bell & Spigot Specification Note:

- 1½" – 12": Bells and Spigots are IPS size
- 14" – 18": **Bells and Spigots are Ductile Iron Pipe Size (DIPS) for AWWA C905 PVC Pipe or Ductile Iron Pipe**



Harco Fittings LLC

P.O. BOX 10335 • LYNCHBURG, VIRGINIA 24506 • 3721 COHEN PLACE • LYNCHBURG, VIRGINIA 24501
 PHONE: (434) 845-7094 • FAX: (434) 845-8562 • E-MAIL: sales@harcofittings.com • WEB: www.harcofittings.com

DD_DI_20220408