

MR16

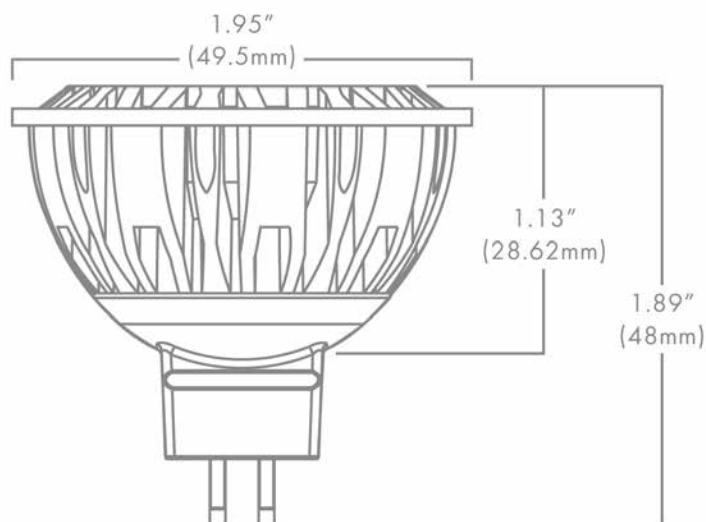


DESCRIPTION

The Brilliance MR16 Bi-Pin is designed to fit in standard low voltage MR16 fixtures and offers a long lamp life. These LEDs are thermally engineered to operate in enclosed fixtures and provide added security by automatically cooling down and reducing lumen output when exposed to extreme heat, such as air temperatures above 125°F. There is no color shift when lumen output is reduced. Dimmable with Brilliance Dimmer and most magnetic transformers.

MR16 FEATURES

- Earth tone colored housing
- Dimmable with Brilliance Dimmer and most magnetic transformers
- Enhanced ESD (Electro-Static Discharge) protection (IEC-61000-4-2)
- Heat overload protection technology
- Fully potted PC board
- UL Certified E360351



Part Number: **MR16-X-XXXX-XXX**



MR16 SPECS

Wattage	4, 5, 7		
Lumens	2700K	3000K	5700K
4W	325	350	400
5W	380	400	450
7W	690	715	750
Beam Spread [†]	15°, 30°, 60°, 120°		
Kelvin Temperature	2700, 3000, 5700		
Color	Amber (4W, 5W, 30° only) Blue (4W, 30° only)		
Operating Range	8-25 VAC/DC		
Replaces	20W, 35W, 50W Halogen		
CRI	85		
IP	61		
Lamp Life (hours)	50,000		
Warranty (years)	5		



[†] Select Beam Spreads Available in Stock. Call 800-867-2108 for availability.